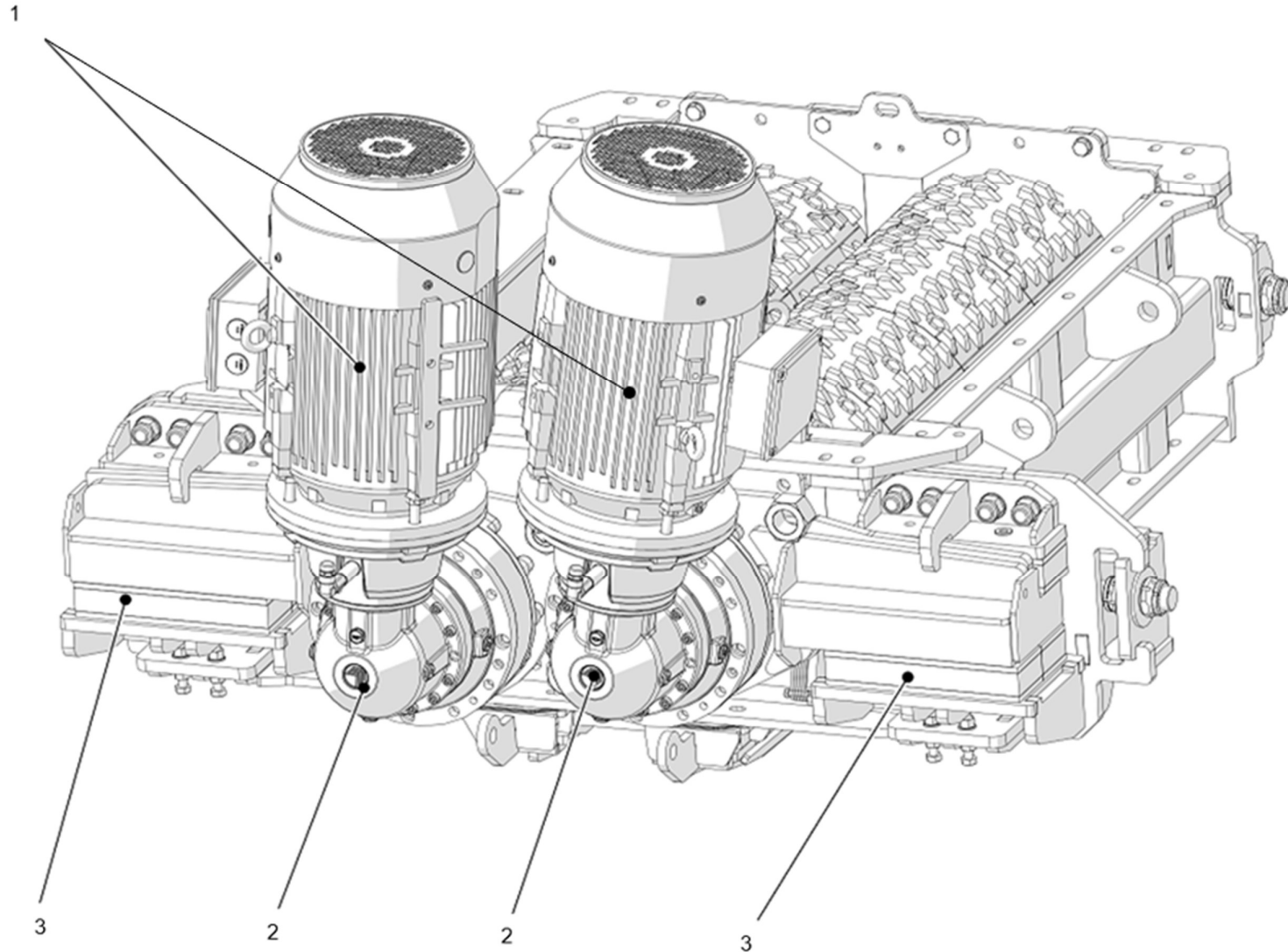




SRU 80c

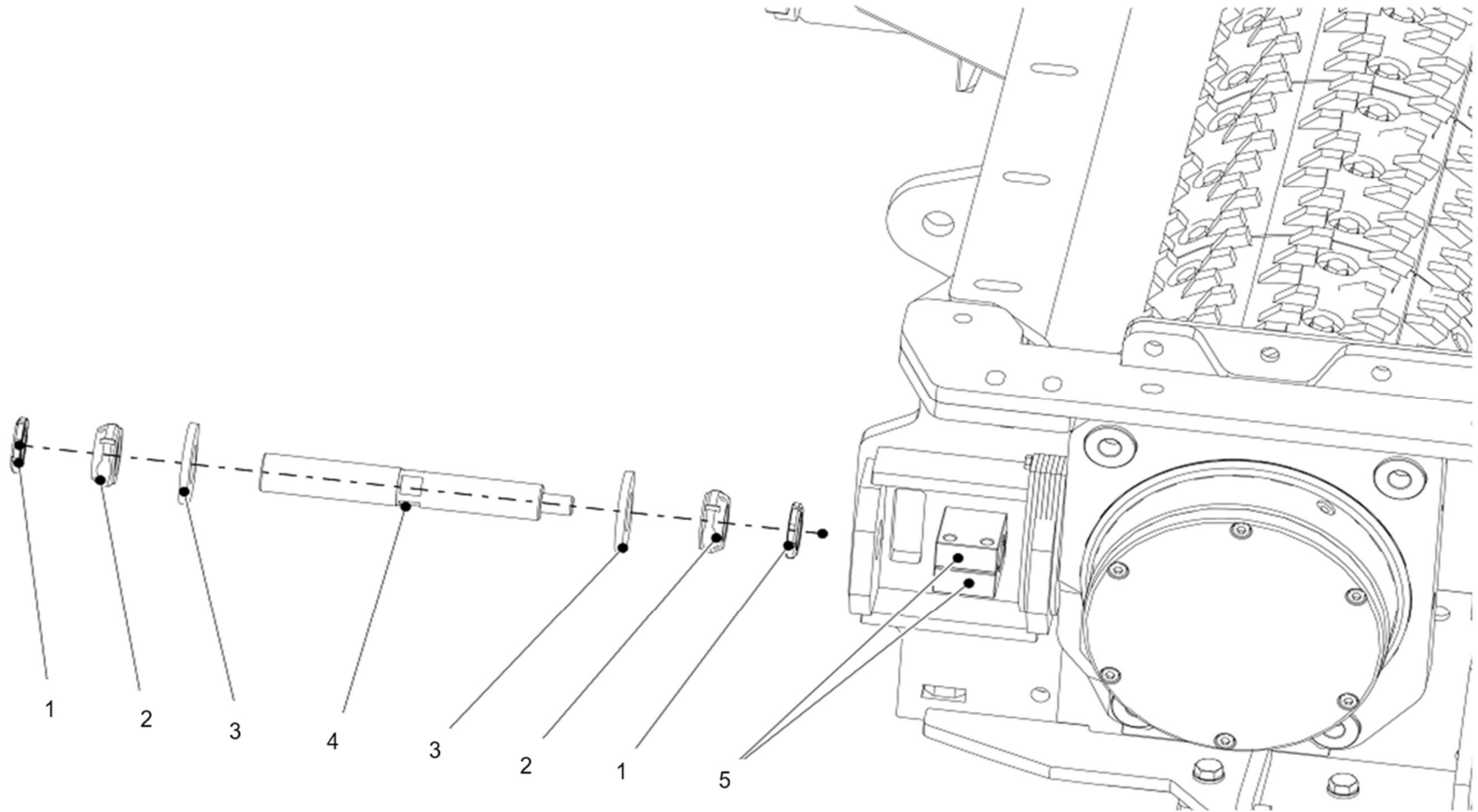




**SECONDARY SHREDDER
TRITURATORE SECONDARIO**

TAB.1

Pos. Pos.	Codice Part Number	Description	Beschreibung	Description	Q.tà Q.ty
1	41-C002283	Electric motor (EU)	Elektromotor (EU)	Moteur électrique (EU)	2
2	41-C002282	Gearbox	Getriebe	Engrenage	2
3	41-D01969	Anti-vibration plates	Schwingungsdämpfer	Amortisseur de vibration	6

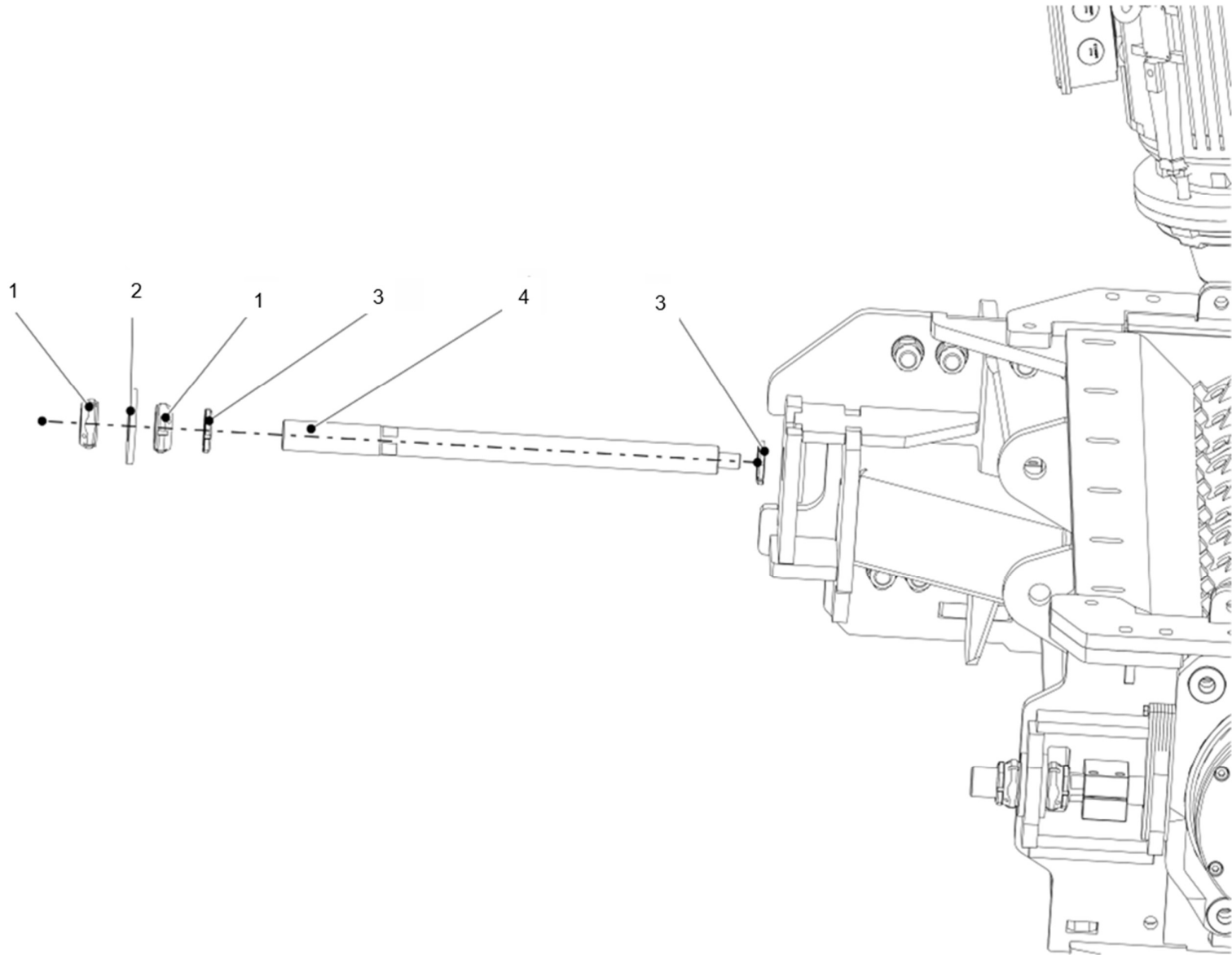




**SECONDARY SHREDDER
TRITURATORE SECONDARIO**

TAB.1.1

Pos. Pos.	Codice Part Number	Description	Beschreibung	Description	Q.tà Q.ty
1	41-C002510	Ring nut	Gewinding	Bague fileté	2
2	41-C002542	Ring nut	Gewinding	Bague fileté	2
3	41-E09423	Washer	Federscheibe	Rondelle	2
4	41-D02427	Registration bolt	Einstellschraube	Vis de réglage	1
5	41-D02431	Clamping device	Klemmvorrichtung	Dispositif de serrage	2

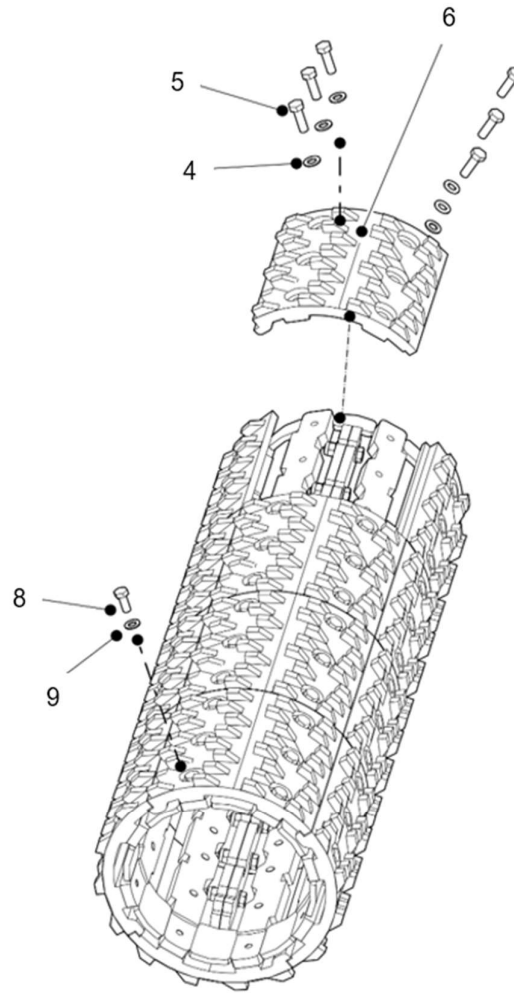
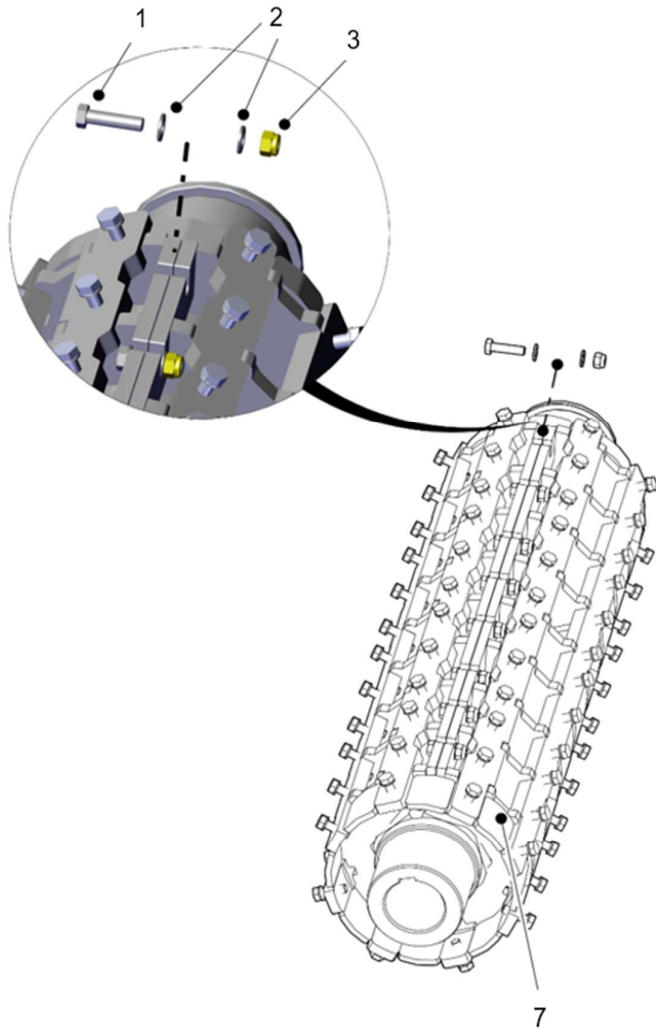




**SECONDARY SHREDDER
TRITURATORE SECONDARIO**

TAB.1.2

Pos. Pos.	Codice Part Number	Description	Beschreibung	Description	Q.tà Q.ty
1	41-C002542	Ring nut	Gewinding	Bague fileté	2
2	41-E09422	Washer	Federscheibe	Rondelle	1
3	41-C002510	Ring nut	Gewinding	Bague fileté	2
4	41-D02468	Registration bolt	Einstellschraube	Vis de réglage	1





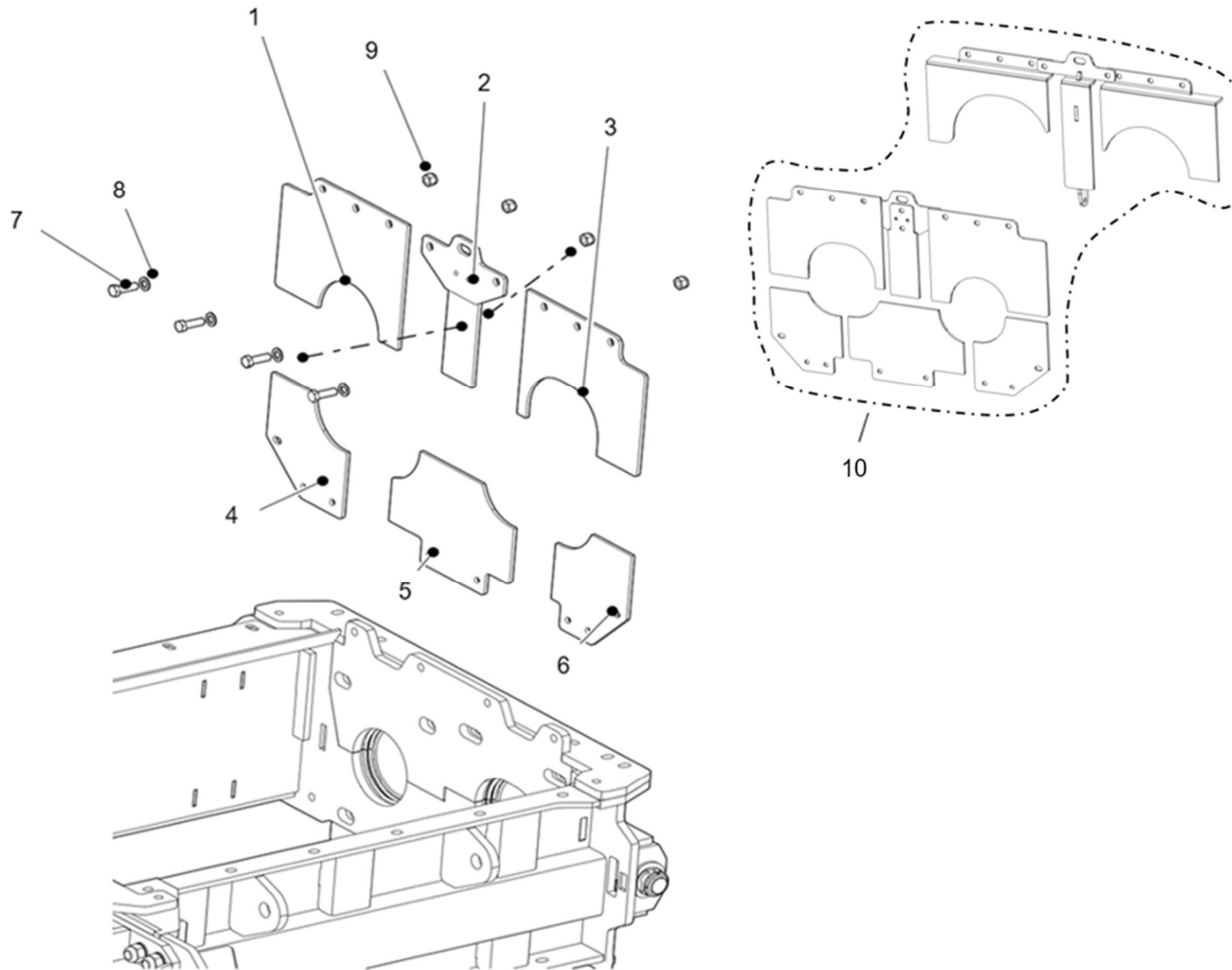
**SECONDARY SHREDDER
TRITURATORE SECONDARIO**

TAB.1.3

Pos. Pos.	Codice Part Number	Description	Beschreibung	Description	Q.tà Q.ty
1	41-C002286	Armor plate fixing bolt	Schraube	Boulon	32
2	41-C000209	Washer	Federscheibe	Rondelle	64
3	41-C000314	Nut	Sicherungsmutter	Écrou autobloquant	32
4	41-C002513	Washer	Federscheibe	Rondelle	176
5	41-C00085	Bolt	Schraube	Boulon	176
6	41-D02016	Armor plate CTR 1200	Fräsplatte CTR 1200	Fraiseuse CTR 1200	32
7	41-D02437	Sec. shredder shaft	Welle CTR 1200	Arbre CTR 1200	4
8	41-C002614	Bolt	Schraube	Boulon	16
9	41-C002513	Washer	Federscheibe	Rondelle	16
10	41-C002753	Mounting kit - CTR 1200	Bolzen Kit CTR 1200	Lot de boulon CTR 1200	(1)
11	41-A01974	Armor plate kit CTR 1200	Fräsplatte Kit CTR 1200	Unité fraiseuse CTR 1200	(32)
12	41-A01976	Secondary CTR 1200 maintenance kit	Fräsplatte Wartungskit CTR 1200	Maintenance kit fraiseuse CTR 1200	(1)

Notes:

- 41-C002753: mounting kit for entire Secondary Shredder (176 x 41-C00085, 192 x 41-C002513, 16 x 41-C002614)
- 41-A01974: kit for one Single Armor Plate and relevant screws/washers
- 41-A01976: one maintenance kit for the entire Secondary Shredder



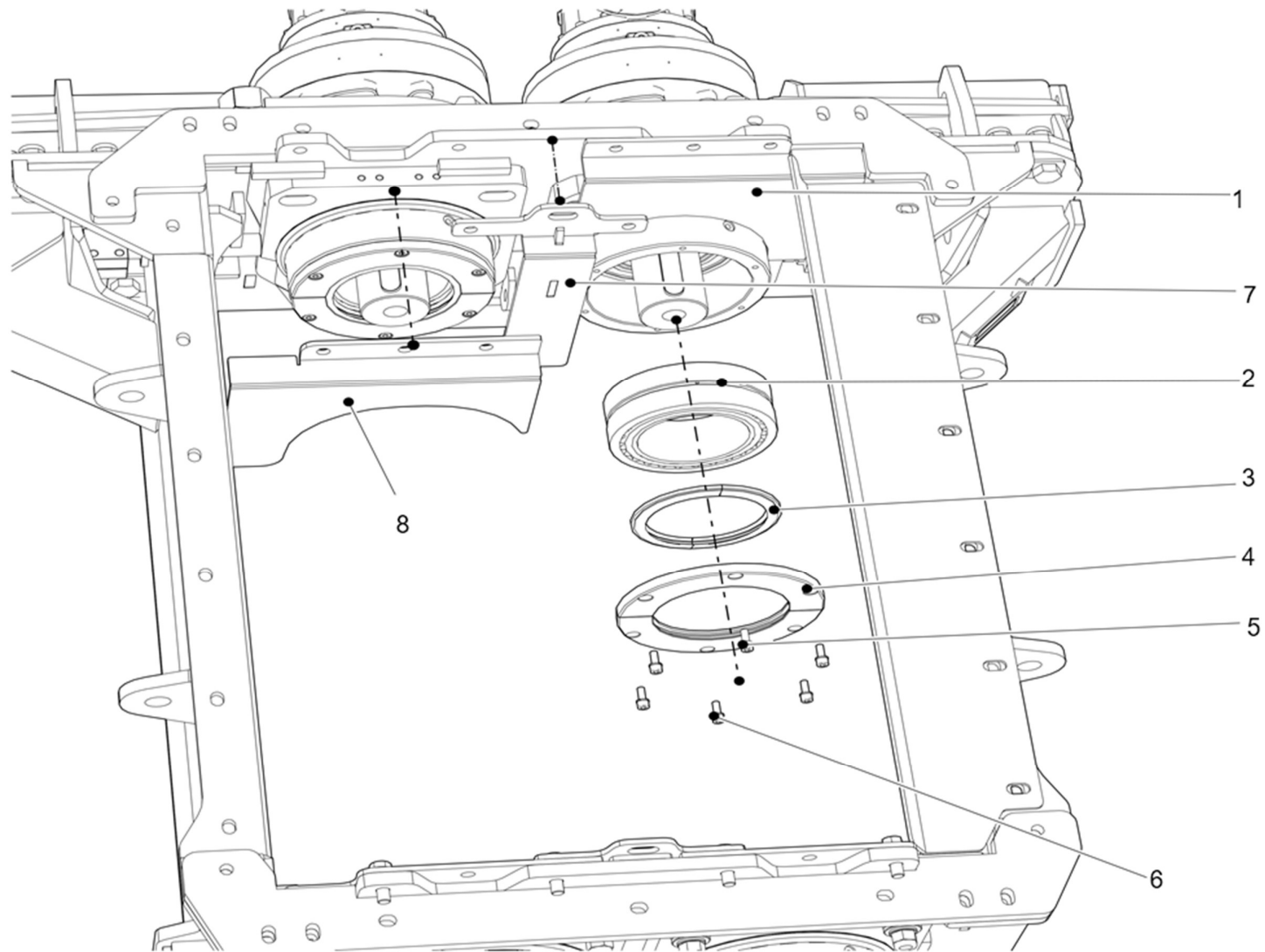


**SECONDARY SHREDDER
TRITURATORE SECONDARIO**

TAB.1.4

Pos. Pos.	Codice Part Number	Description	Beschreibung	Description	Q.tà Q.ty
1	41-E10843	Wearing plate	Verschleisschutz	Protection contre d'usure	1
2	41-D02835	Wearing plate	Verschleisschutz	Protection contre d'usure	1
3	41-E10844	Wearing plate	Verschleisschutz	Protection contre d'usure	1
4	41-E09937	Wearing plate	Verschleisschutz	Protection contre d'usure	1
5	41-E09939	Wearing plate	Verschleisschutz	Protection contre d'usure	1
6	41-E09938	Wearing plate	Verschleisschutz	Protection contre d'usure	1
7	41-C00071	Bolt	Schraube	Boulon	14
8	41-C000824	Washer	Federscheibe	Rondelle	14
9	41-C00074	Nut	Sicherungsmutter	Écrou autobloquant	14
10	41-A02077	Secondary shredder wearing plates kit	Verschleisstellsatz - CTR Wände	Kit de pièces d'usure - parois CTR	(1)

Order one kit 41-A02077 in order to substitute ALL wearing plates of CTR.
Kit 41-A02077 contains wearing plates (ref. tables 6.4 and 6.5) and bolting kit.





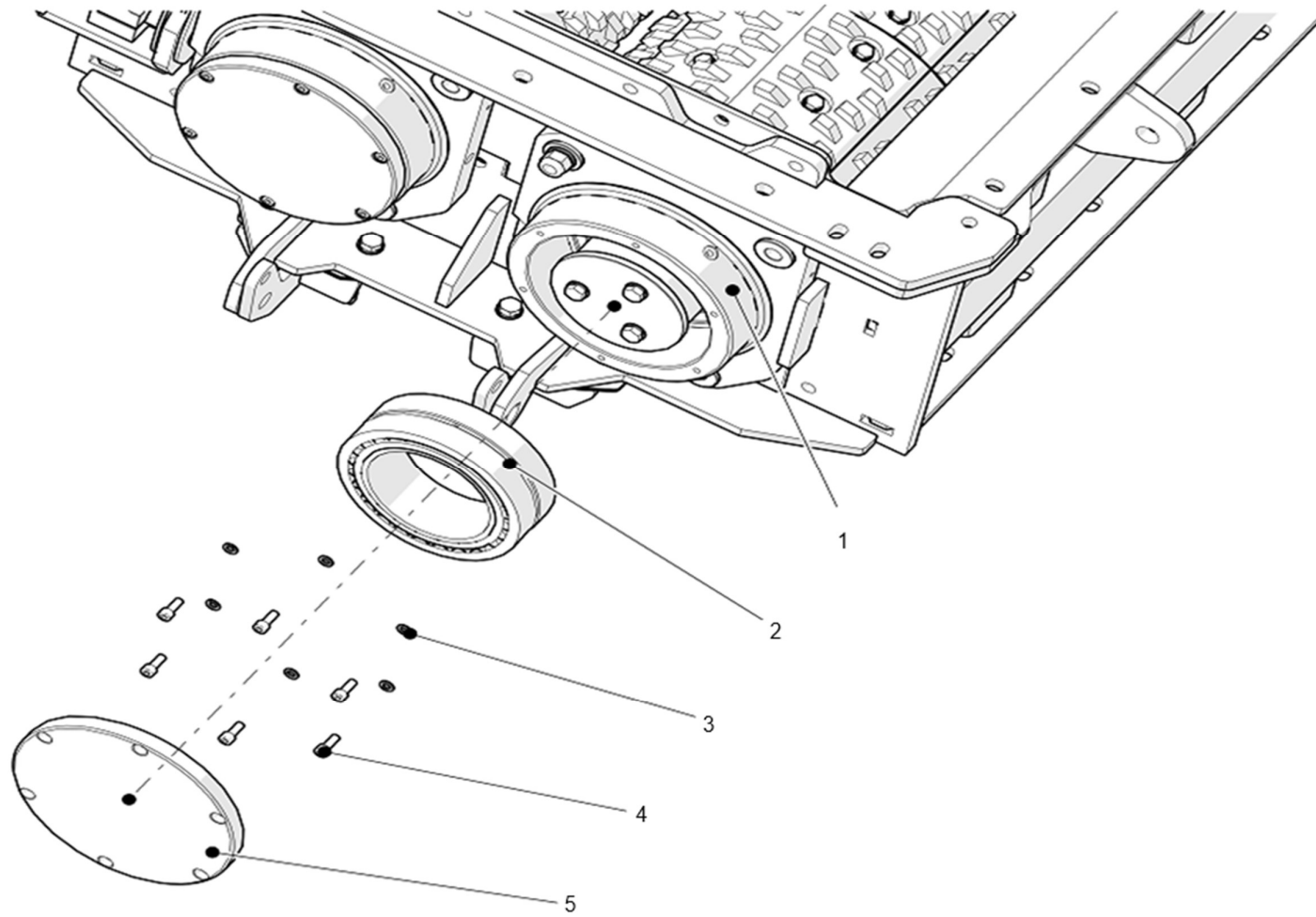
**SECONDARY SHREDDER
TRITURATORE SECONDARIO**

TAB.1.5

Pos. Pos.	Codice Part Number	Description	Beschreibung	Description	Q.tà Q.ty
1	41-D02801	Wearing plate	Verschleisschutz	Protection contre d'usure	1
2	41-C002289	Bearing	Lagerung	Roulement	2
3	41-C002588	Gasket	Dichtung	Joint d'étanchéité	2
4	41-D01967	Gasket closure disc	Dichtungsgehäuse	Carter d'étanchéité	2
5	41-C001672	Bolt	Schraube	Boulon	12
6	41-C00079	Washer	Federscheibe	Rondelle	12
7	41-D02799	Wearing plate	Verschleisschutz	Protection contre d'usure	1
8	41-D02800	Wearing plate	Verschleisschutz	Protection contre d'usure	1

Note: wearing plates 1, 7 and 8 of Table 6.5 are also shown in item 10 of Table 6.4, as they are included in kit 41-A02077. Bolts and nuts necessary for the assembly of items 1, 7 and 8 are not shown in Table 6.5.

Order one kit 41-A02077 in order to substitute ALL wearing plates of CTR.





**SECONDARY SHREDDER
TRITURATORE SECONDARIO**

TAB.1.6

Pos. Pos.	Codice Part Number	Description	Beschreibung	Description	Q.tà Q.ty
1	41-D01952	Bearing support	Lager Abstützung	Appui de roulement	2
2	41-C002289	Bearing	Lagerung	Roulement	2
3	41-C00079	Washer	Federscheibe	Rondelle	12
4	41-C001672	Bolt	Schraube	Boulon	12
5	41-D01966	Bearing cover	Lagerung	Roulement	2